

# DR. INJECTOR

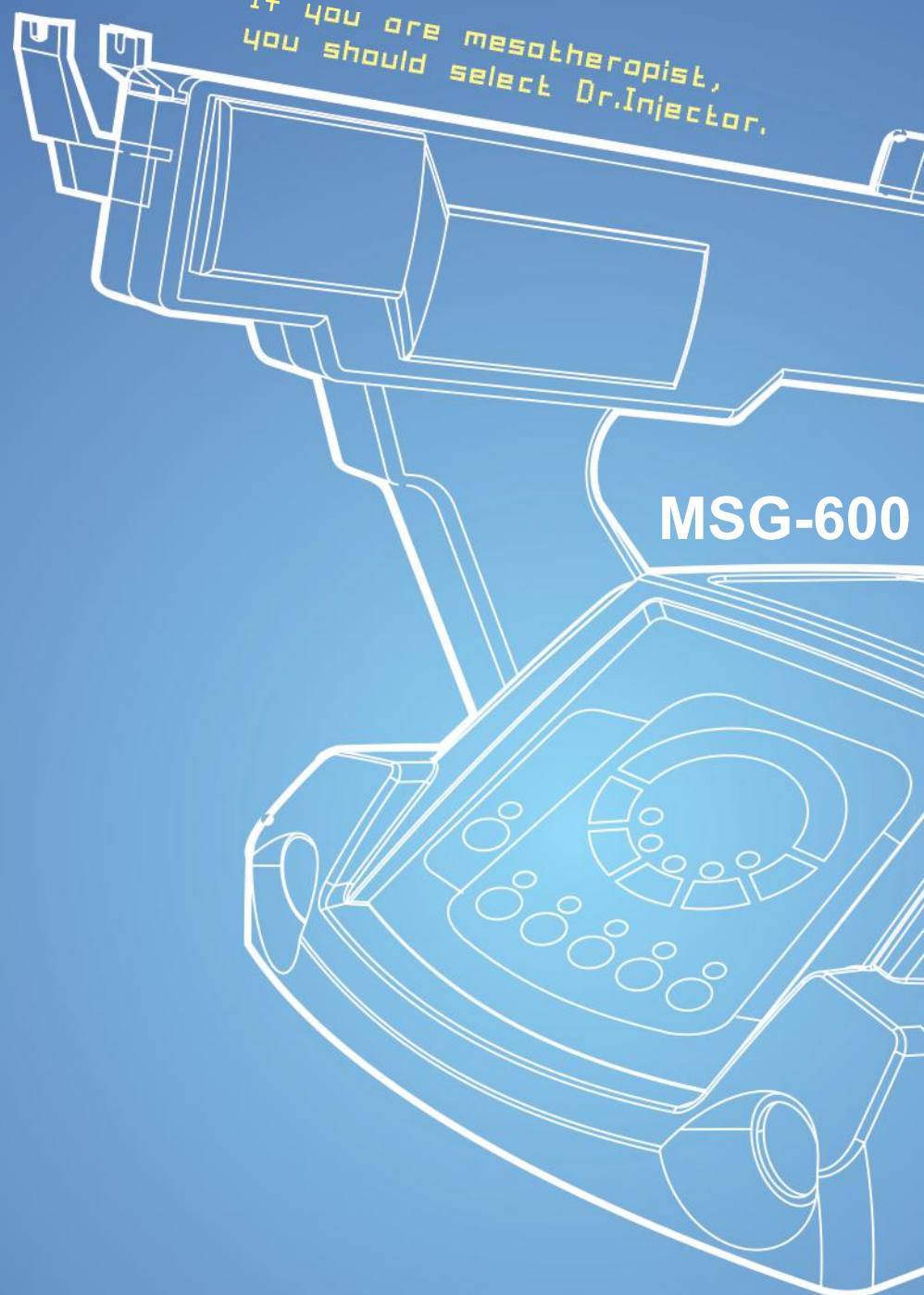
In the early stage, mesotherapy had been treated by manual technique. In case of treating for a long time, it put strain on a wrist and made it difficult to inject medication correctly as well as impossible to adjust the depth of needle directly along the patient's skin.

## Syringe Infusion Pump for Mesotherapy

Scan the QR code with your smart phone to get more information about Dr.Injector.



If you are mesotherapist,  
you should select Dr.Injector.



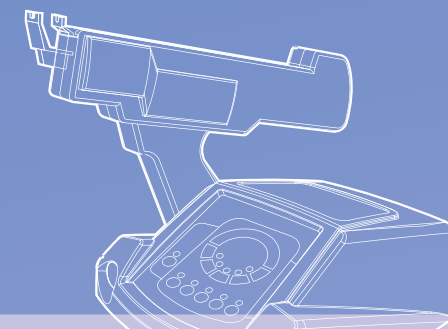
MSG-600

MOOHAN

MSG-600

# DR. INJECTOR

Syringe Infusion Pump for Mesotherapy



## Overview

In the early stage, mesotherapy had been treated by manual technique. In case of treating for a long time, it put strain on a wrist and made it difficult to inject medication correctly as well as impossible to adjust the depth of needle directly along the patient's skin.

To make up for this weakness, Dr. Injector has been newly developed for the treatment of mesotherapy as a medical appliance. It is a medical injector that helps to inject a certain amount of medication to the certain depth of skin as soon as possible.

It can be used for the treatment of hair loss, obesity, pigment disease, etc. by mesotherapy. Comparing it to the method by manual, patient feels less pain and the time for treatment can be much shortened.

## Specifications

- Voltage and frequency : AC110/220V, 50/60Hz
- Regular fuse : AC220V, 5A, 20mm
- size : ① Main Body : 215(W)x260(L)x90(H)mm  
② Injector : 42(W)x237(L)x165(H)mm
- Weight : ① Main Body : 2.0kg  
② Injector : 400g

## Feature

- Obtained certification of CE in accordance with MDD(Class II).
- The depth of needle can be adjusted conveniently by hands.
- Due to free control of the depth of needle, treatment of IED, IDS, IDP, IHD, etc. can be possible.
- Due to 5 kinds of operation mode and control function, injection method of NAPPAGE, PPP, etc.
- Correct amount of medication can be injected by 5 kinds of mode.
- Backswing function prevents it from wasting or exhausting of medication.
- Injection speed can be adjusted between 100~300 per minute by NAPPAGE.
- 2 kinds of mode that may be frequently used can be saved.
- Shooting speed is so fast that patient feels little pain.
- Injection speed and power can be maintained by snapping motor.
- Moving and safe storing can be possible by using a cart(option).

Mode	Level	Function
<b>PPP</b> (continue)	5 level Amount of injection	While injecting button is pressed, needle moves one time forward and inject it continuously. (amount of injection : Min. 3ml / Max. 10ml)
<b>MIC</b> (micro)	5 level Amount of injection	When injecting button is pressed, needle moves forward and inject it one time. (amount of injection : 1 drop(0.1~0.9cc/min)
<b>STD</b> (standard)	5 level Amount of injection	When injecting button is pressed, needle moves forward and inject it one time. (amount of injection : 3 drops(1~5cc/min)
<b>MEF</b> (mesoferfusion)	5 level Quiescent time	When injecting button is pressed one time, needle doesn't move forward, but inject it continuously with quiescent time. (amount of injection : 3 drops(2~12cc/min)
<b>NPG</b> (nappage)	5 level number of injection time	While injecting button is pressed, needle moves forward and backward continuously, and also inject it continuously. (amount of injection : 1 drop(100~350rpm/min)

MOOHAN

605-1, Jiwol-ri, Chowol-eup, Gwangju-si  
Gyeonggi-do 464-863, Korea  
Tel. +82-31-769-8811 fax. +82-31-798-8817  
www.mesowell.com

